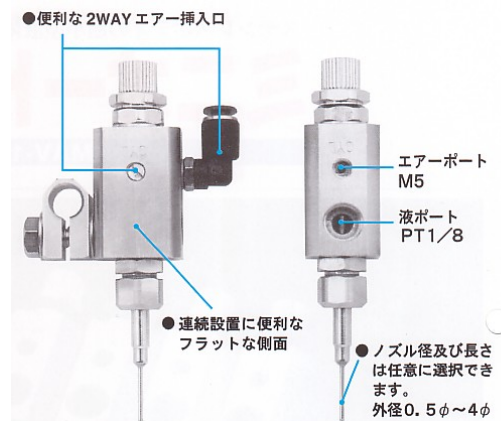
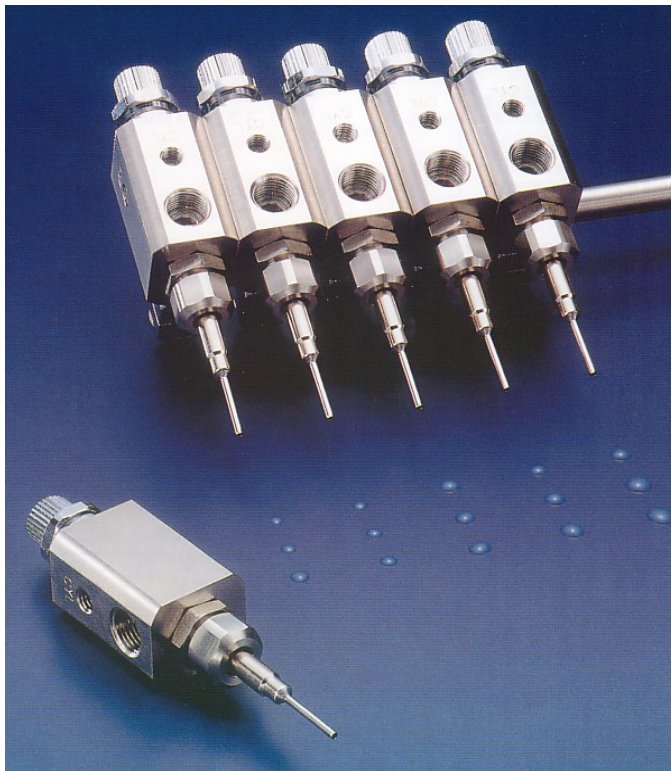


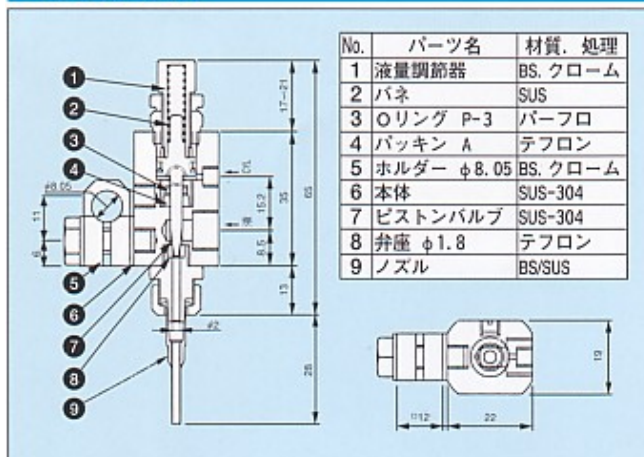
TCT07059

Mini auto-valve

- Can be installed with ultra short pitch: 19mm
- Made of stainless steel and applicable to wide range of liquid
- Needle valve prevents liquid dripping /leaking
- Purpose: Dispensing of various liquid



寸法図及び仕様



1. Liquid control (B.S. Chrome)
2. Spring (SUS)
3. O-ring(Fluoropolymers rubber)
4. Packing (Teflon®)
5. Holder φ8.05 (B.S. Chrome)
6. Body (SUS-304)
7. Piston valve (SUS-304)
8. Valve seat φ1.8 (Teflon®)
9. Nozzle (B.S. SUS)

☆ Please contact us for more detailed information.