

TCT07052 Tubing Dispenser – TIC Model

- Precision material metering timer assures reliable output volume
- Mechanically adjustable sucking back function prevents material dripping and assures clean working
- Adjustable rotor speed
- Teflon[®] or Silicone tube can be used
- Purpose: Dispensing of instant adhesive, epoxy, oil, ink, paints, UV grew etc

Specifications

Model	TIC
Power	AC100V/110V50/60Hz
Power consumption	20W
Weight	3 Kg
Revolution	max. 100rpm
Timer setting	0.01 ~ 99.99 Sec.
Dispense volume	0.0001cc / shot
Flow rate	Teflon [®] tube: 0.01 ~ 3cc Silicone tube: 0.3 ~ 14cc
Degree of accuracy	±5%
Flow direction	Forward/reverse switching is possible

Power & voltage: Available AC200~240V specs

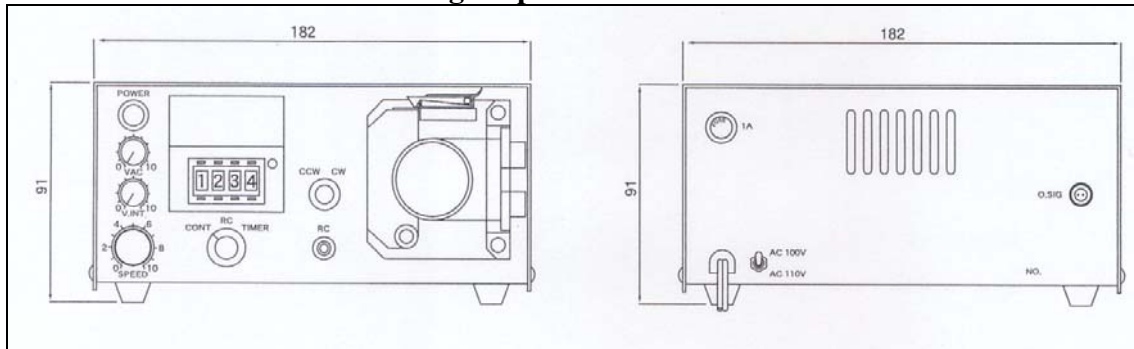
Standard accessories

- Teflon[®] tube ϕ 1.4mm x ϕ 2.0mm 1 m
- Input jack for start signal 1 pc
- Connector for finishing of discharge 1 pc



TIC Corporation Ltd.
3-7-3 Horyu Bldg. 3F, Asakusabashi, Taito-Ku
Tokyo, Japan, 111-0053
Tel: +81-3-3862-3010
Fax: +81-3-3862-3614

Outside dimension of TIC Tubing Dispenser



☆ Please contact us for more detailed information.